

Upper feed roller assembly

1. Remove the right cover.
2. Remove the left cover.
3. Disconnect the head tilt spring.
4. **Left side:** Remove the upper feed-roller electric clutch from the end of the upper feed-roller shaft.
5. Remove the feed-roller drive belt and compound gear from the left end of the upper feed roller. Note the small slot in the compound gear to ease removal.

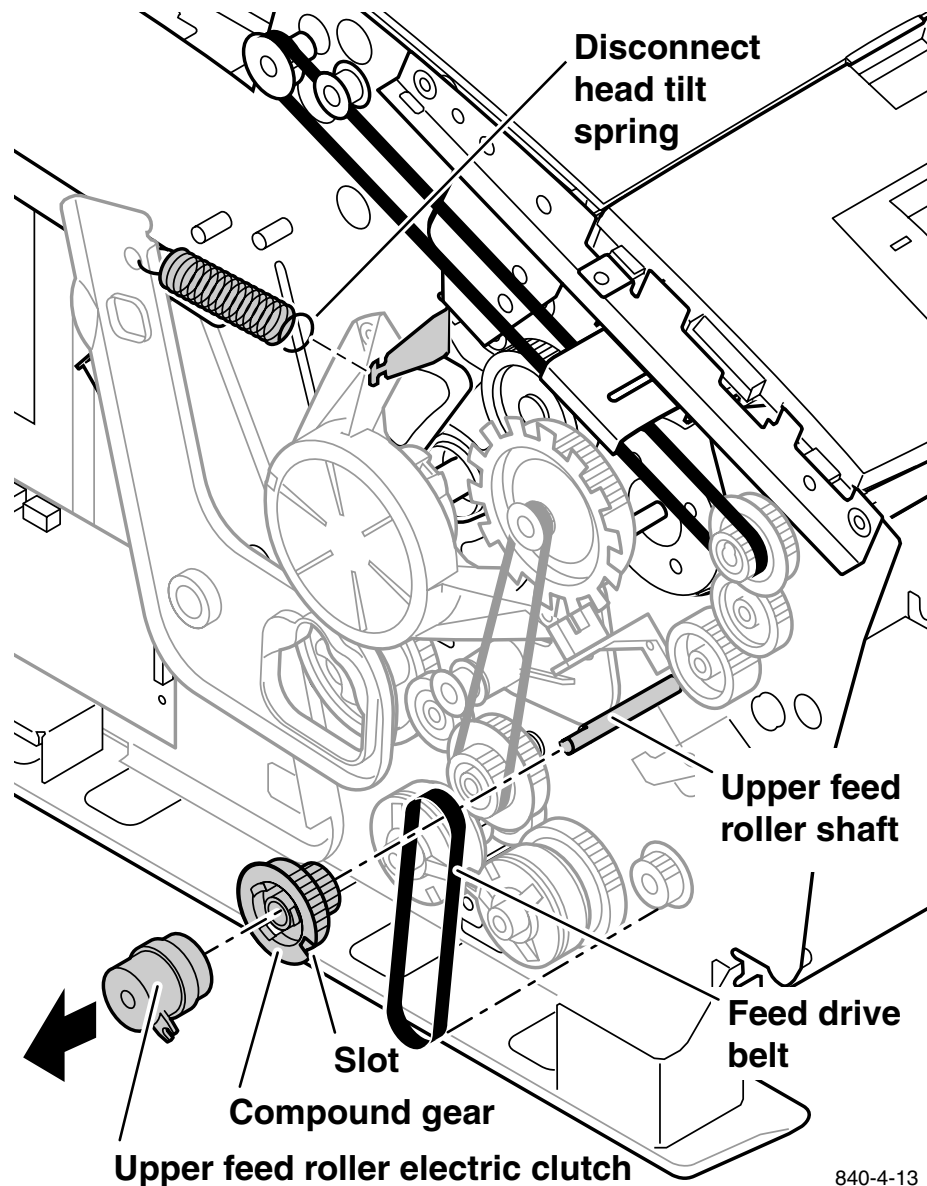
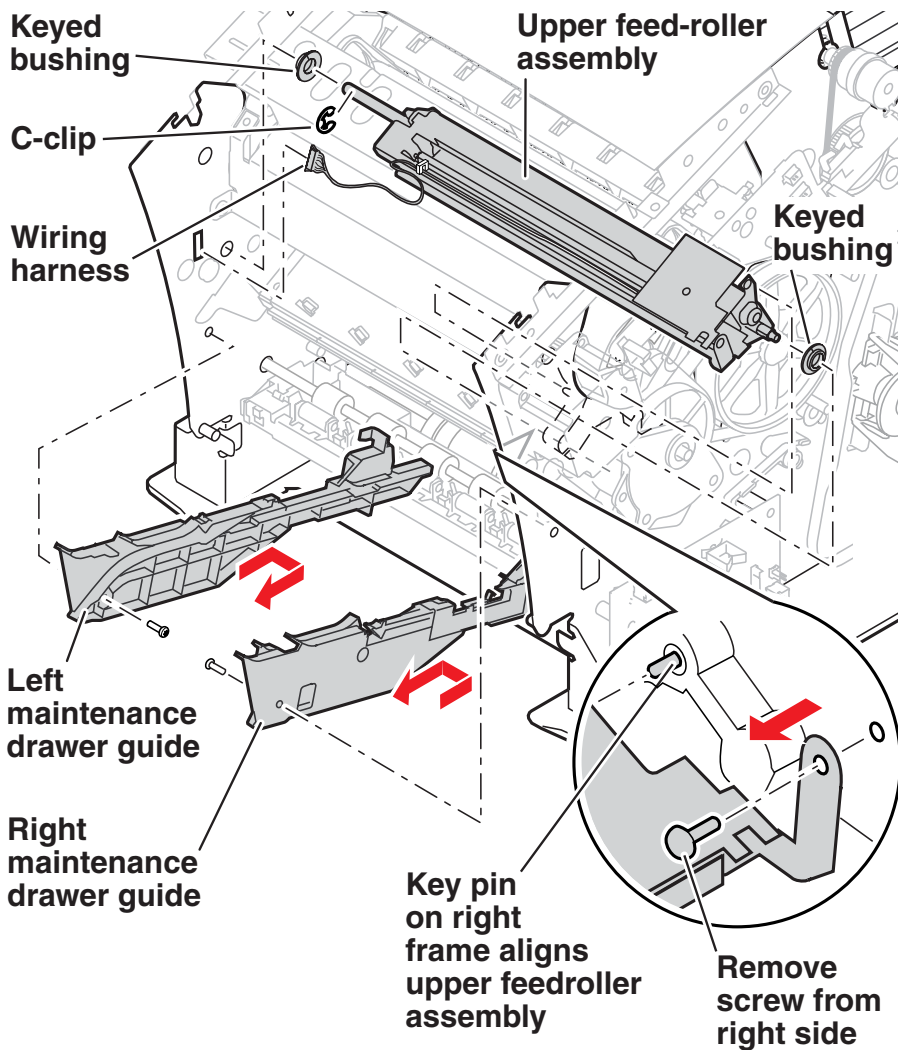


Fig 7-6 Remove the upper feed roller assembly (left side)

6. **Front:** Open the front door and remove the drum maintenance drawer. Also, remove the bright, metal duplex paper guide from the front of the printer. It is held in place with two screws.
7. Remove the left and right maintenance drawer guides. Each is held in place by a single screw at the front and two frame latches at the rear.

Note *If you have trouble removing the right maintenance drawer guide, manually rotate the x-axis drive to move the printhead (in its forward position) to the center of its travel.*

8. Remove the screw securing the right side of the upper feed-roller assembly to the inside of the printer frame.
9. Disconnect the wiring harness leading from the upper feed-roller assembly to the inside the left side of the printer frame.
10. Remove the C-clip located on the left-inside printer frame securing the upper feed-roller assembly in place.
11. Remove the upper feed-roller assembly. Separate the assembly into its two halves.



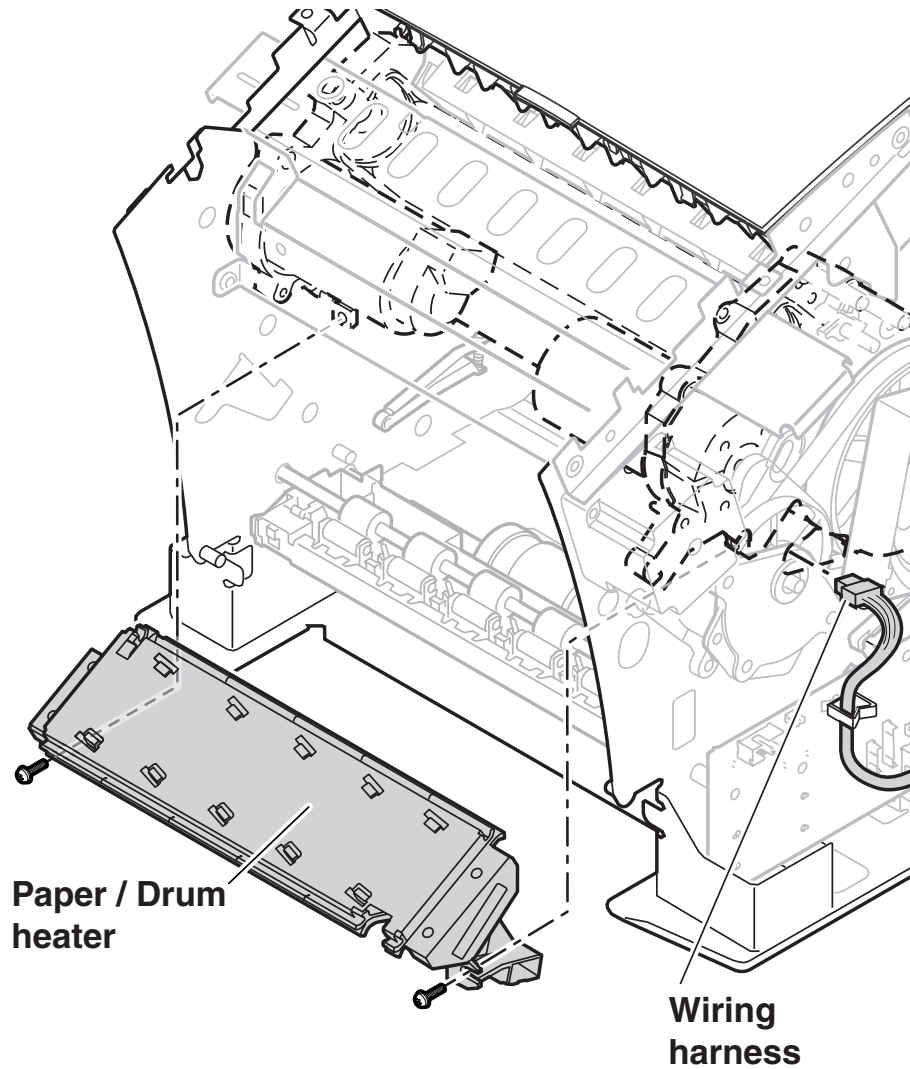
840-4-14

Fig 7-7 Removing the upper feed roller assembly (front)

Paper/drum heater

Warning *Disconnect the power cord. AC voltages may be present at the heaters, even with the printer turned off.*

1. Remove the right cover.
2. Remove the left cover.
3. Remove the upper feed roller as described in the topic 'Upper feed roller assembly', on page 7-183.
4. Disconnect the locking wiring harness from the right side of the paper/drum heater.
5. At the front of the paper/drum heater remove the two screws securing the heater to the inside of the printer frame. Do not confuse the mounting screws with the nearby smaller, brass-colored assembly screws.



840-4-16

Fig 7-8 Removing the paper/drum heater